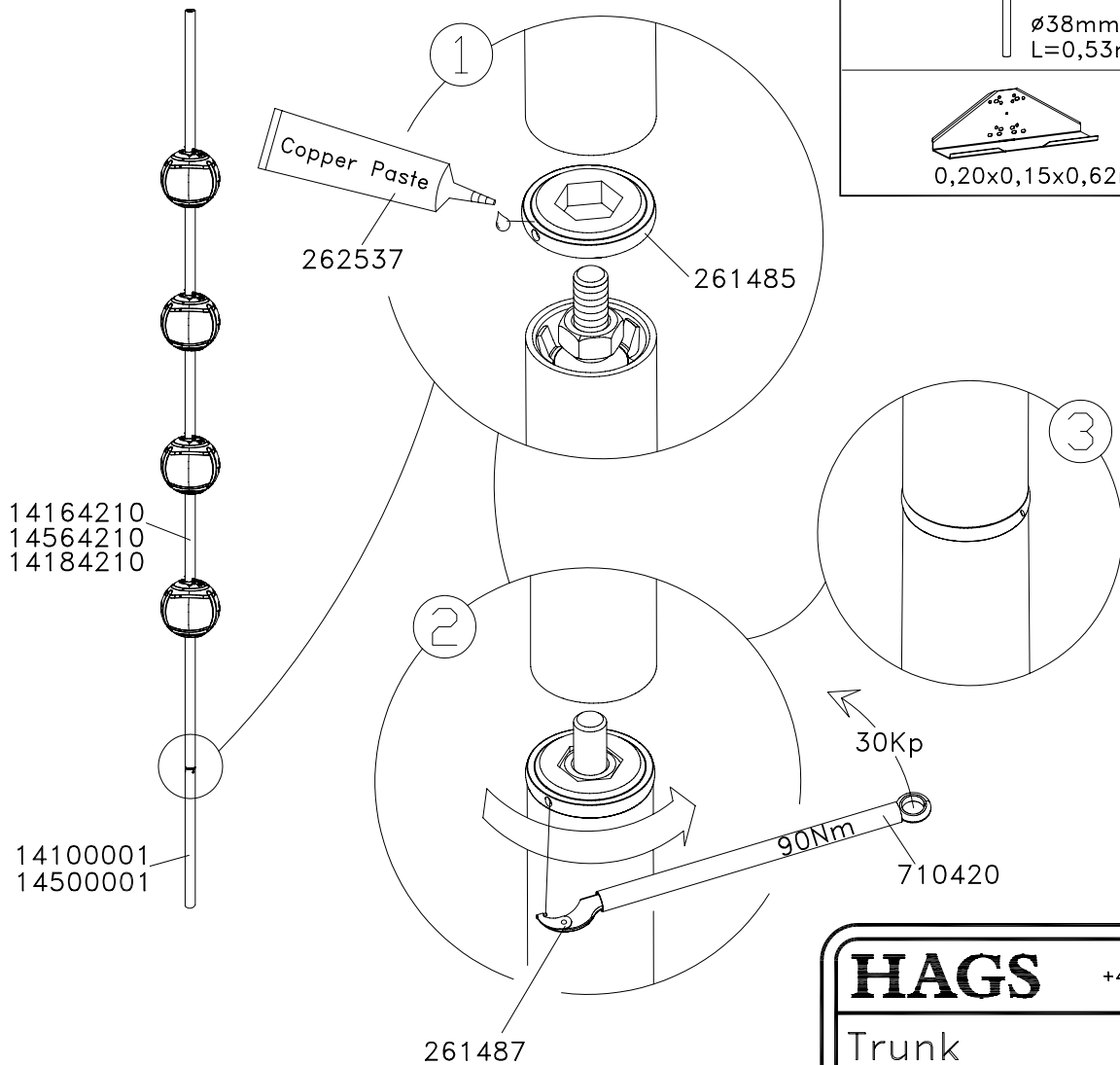

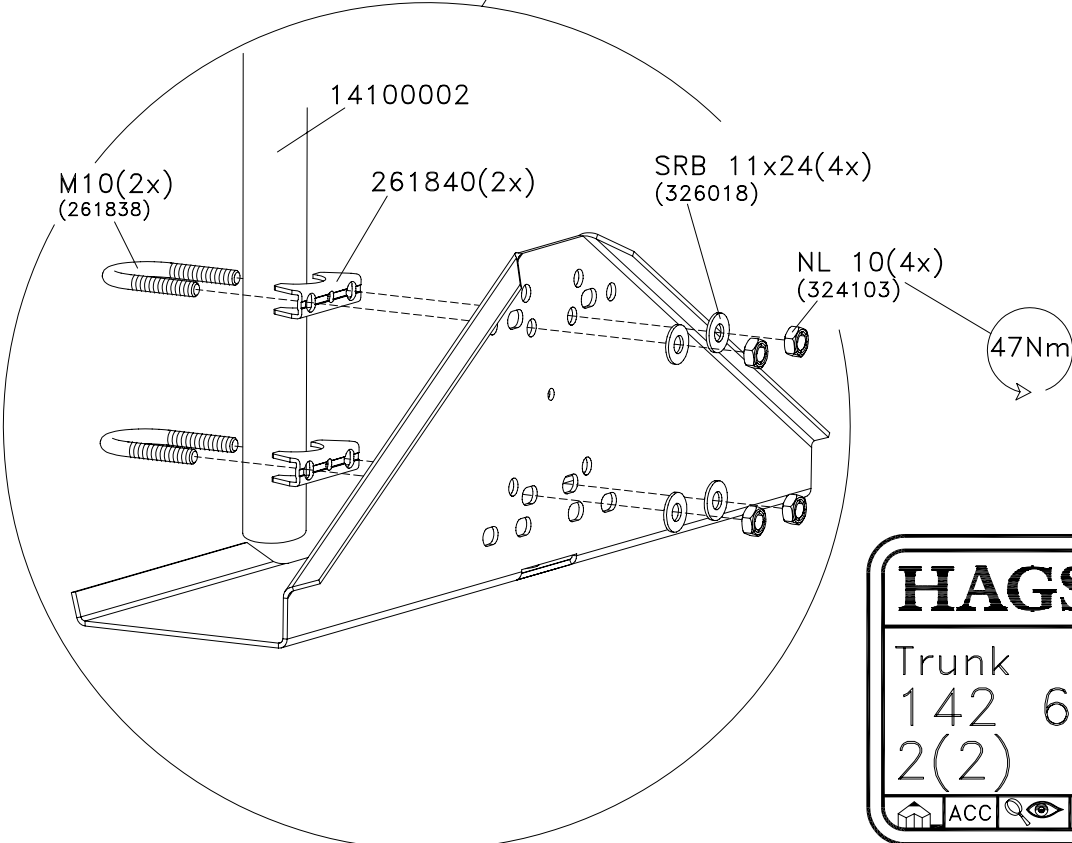
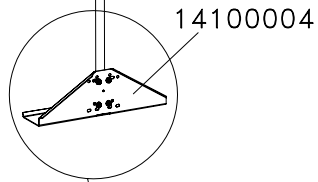
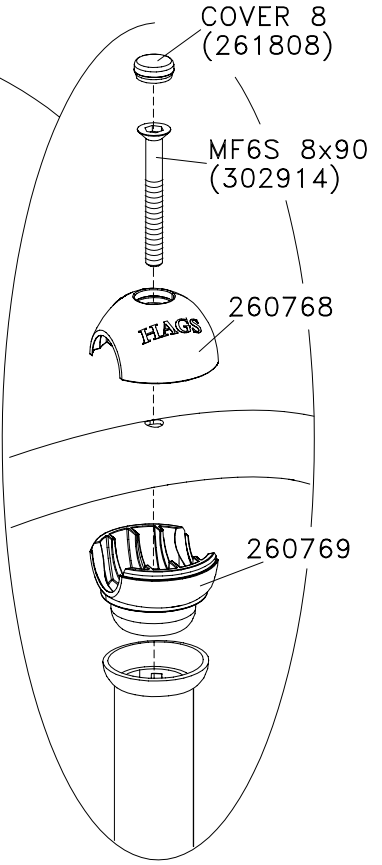
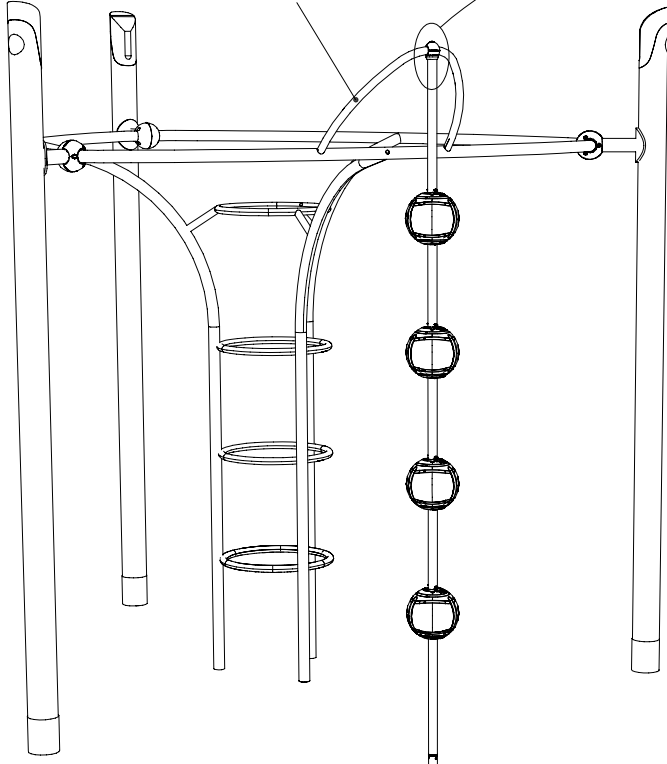




TYPE	ART.NO
	14174210-01 14574210 14194210
	14164210 14564210 14184210
	L=2,90m
	ø38mm L=0,53m
	0,20x0,15x0,62m
	14100001
	14100004



HAGS		ANEBY, SWEDEN	
		+46(0)380-47300	
		www.hags.com	
Trunk			
142 642			
1(2)			
	ACC		TJ
2009-11-13		2	

 142745
 14174210-01
 14574210
 14194210



HAGS		ANEBY, SWEDEN	
		+46(0)380-47300	
		www.hags.com	
Trunk			
142 642			
2(2)			
	ACC		TJ
2009-11-13		2	