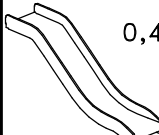

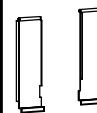


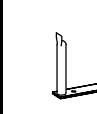
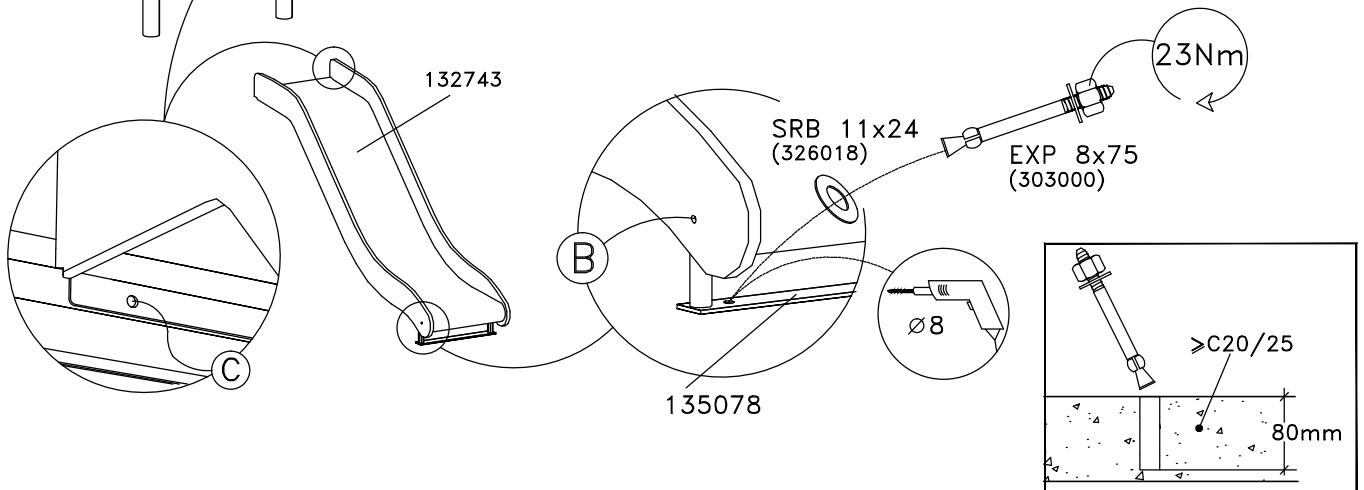
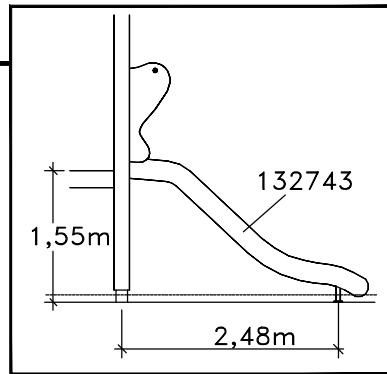
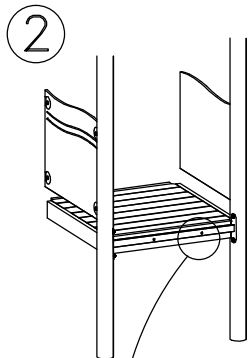
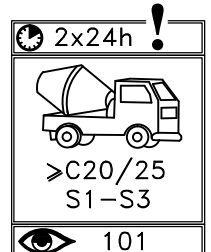
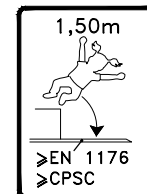


TYPE	HAGS.NO
 0,45x3,2m	132743
 0,89m	410601
 0,2x0,74m	135020-02 135021-02
 0,37x0,71m	135010-01 135011-01 135012-01 135013-01
 Ø25mm L=0,45m	153406
 0,05x0,28x0,43m	135078



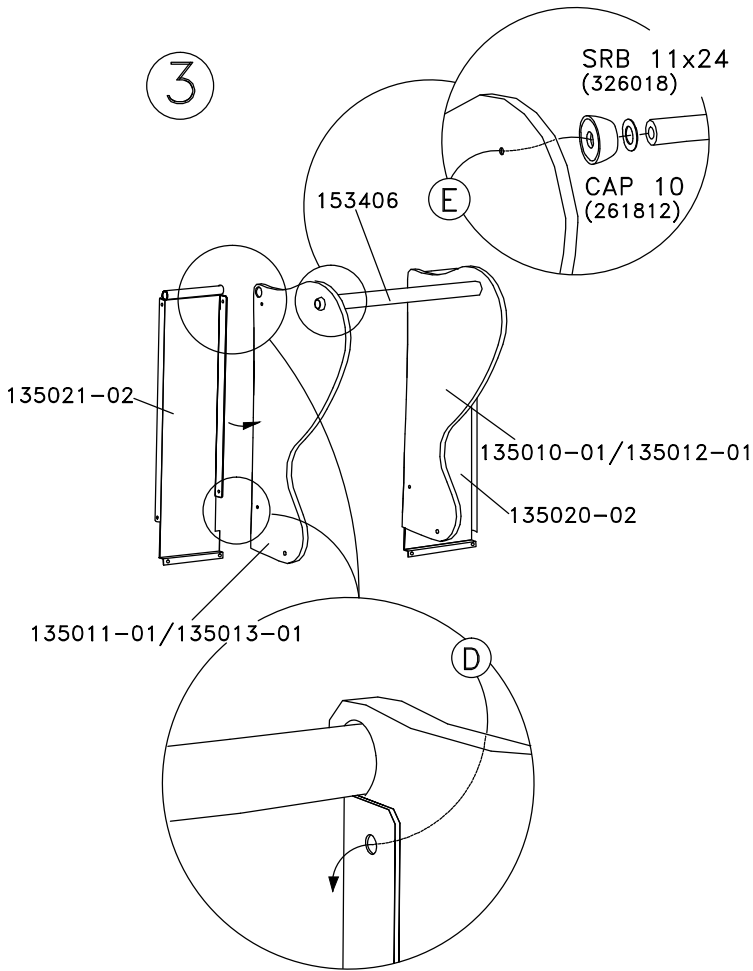
A	TKFT 8x60 (310510)	18/15x4,5 (261817)	
B	COVER 8 (261808)	SRB 9x18 (326017)	SRB 9x18 (326017)
	M6S 8x40 (302161)	CAP 8 (261806)	M6M A2 M8 (324102)
C	COVER 10 (261814)	SRB 11x24 (326018)	
	M6S 10x25 (302207)	CAP 10 (261812)	



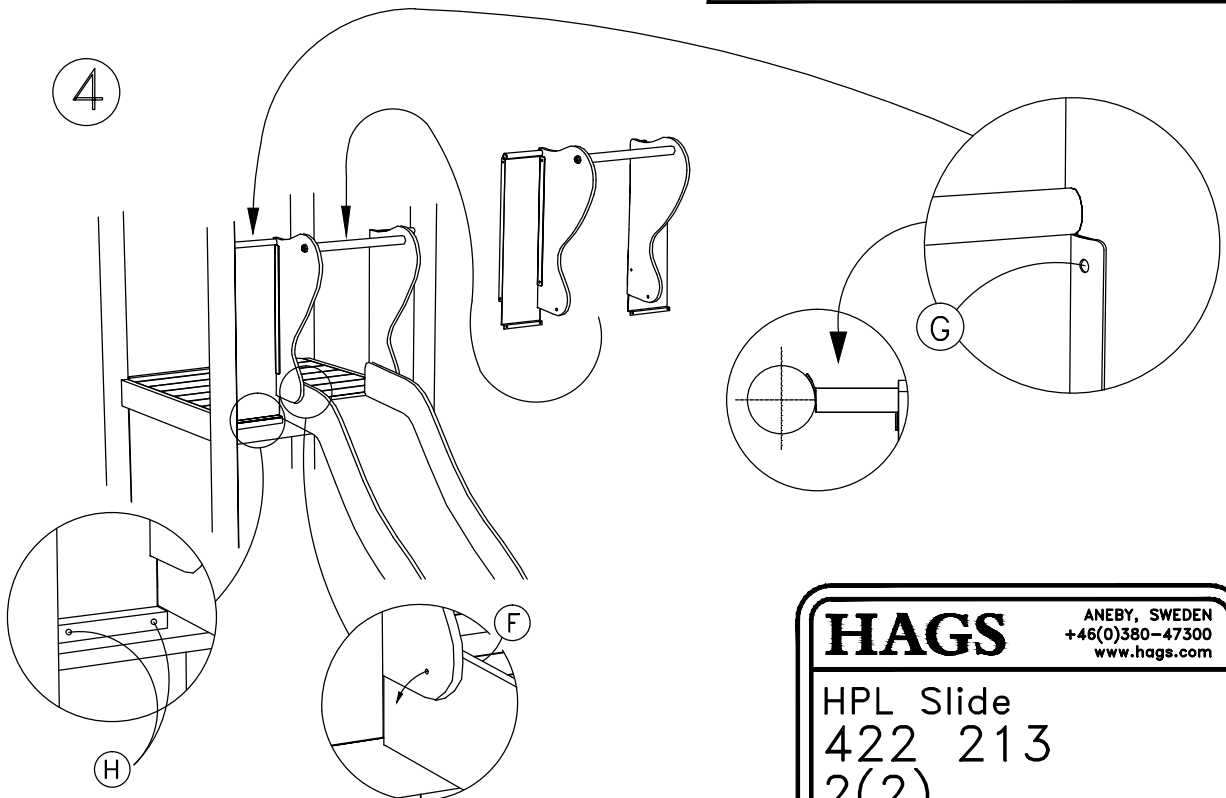
HAGS ANEBY, SWEDEN
+46(0)380-47300
www.hags.com

HPL Slide
422 213
1(2)

ToB 2017-05-29 5



D	M6M A2 M6 (324101) COVER 6 (261801) MVBF 6x25 (304552) CAP 6 (261800) SRB 7x14 (326016)
E	COVER 8 (261808) SRB 9x18 (326017) M6S 8x55 (302164) CAP 8 (261806)
F	CAP 8 (261806) M6M A2 M8 (324102) MVBF 8x45 (304605) SRB 9x18 (326017) COVER 8 (261808)
G	TKFT 6x40 (311100) 15/7x3 (261819)
H	Screw thr-forming M6x25-8.8-(ISO7380) (8027762) Ø5,5 MAX 500rpm



HAGS ANEBY, SWEDEN
+46(0)380-47300
www.hags.com

HPL Slide
422 213
2(2)

Home TJ Eye ToB 2017-05-29 5